


Only these models of Outdoor Tankless Water Heaters will fit or function in this recess box;


PH-28ROF PH-28COF

The purpose of this manual is to provide the installer with the basic instructions necessary to properly install the recess box. This manual assumes that the installer has basic carpentry skills and plumbing knowledge. Local codes may apply to this installation, all local building, electrical, and plumbing codes should be followed.

It is imperative that all persons who are expected to install, operate or adjust this recess box and/or water heater, read these instructions along with those instructions provided with the tankless water heater.

 Recognize this symbol as an indication of Important Safety Information!

**Refer to the Use and Care Manual provided with your tankless water heater for the proper installation procedures and conditions.**

 **WARNING!** Gasoline, as well as other flammable materials and liquids (adhesives, solvents, paint thinners etc.), and the vapors they produce are extremely dangerous. **DO NOT** handle, use or store gasoline or other flammable or combustible materials anywhere near or in the vicinity of a water heater or any other appliance. Be sure to read and follow the labels on the water heater, as well as the warning printed in this manual. Failure to do so can result in property damage, bodily injury or death.

**Location** - This water heater recess box is for OUTDOOR installation ONLY, and is intended for use only with the water heater models listed above. Do not attempt to install a water heater of another brand or model in this recess box.

Do not attempt to modify this recess box. Doing so will alter the intended design potentially causing an unsafe operating condition.

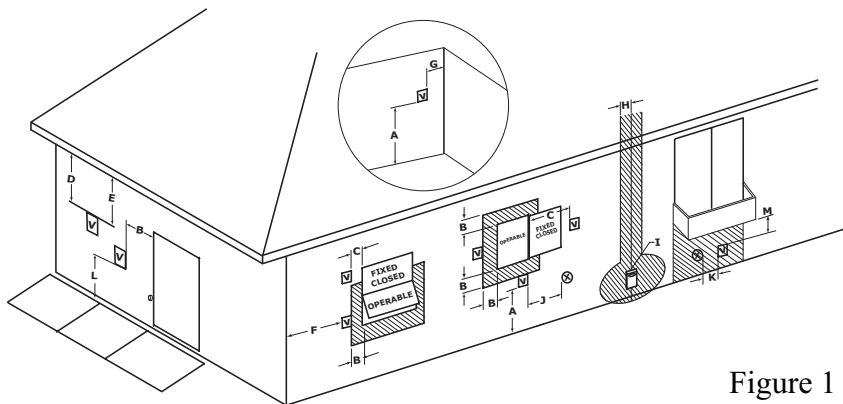
Consult the Use and Care Manual provided with your tankless water heater for installation instructions regarding a suitable location for the water heater. All guidelines re-

garding clearances and distances from overhangs, windows and doors, and air inlets into the home must be followed.

**Recess Box Clearances** - This recess box is designed to be installed with a Zero (0) clearance to combustibles. For service and proper operation, 24 Inches of clearance is required in front of the recess box.

**Freeze Protection** - To help prevent water lines from freezing do not locate water heater on the side of a building with prevailing winter winds. Refer to the Use and Care Manual provided with your water heater for additional information.

**Recess Box Location** - This water heater recess box is intended for an outdoor location only. Follow the guidelines below or in the Use and Care Manual provided with the water heater for choosing a suitable location.



☑ VENT TERMINAL    ☒ AIR SUPPLY INLET    ▨ AREA WHERE TERMINAL IS NOT PERMITTED

Figure 1

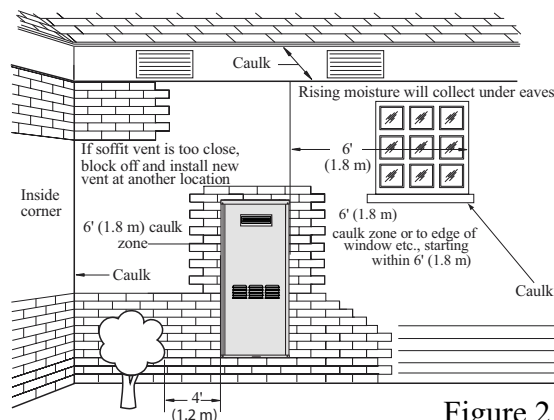


Figure 2

**Water Heater Exhaust Terminal Location**

The following information should be used for determining the proper location of the vent terminal for outdoor tankless water heaters.

**Canadian Installations <sup>1</sup>**

**US Installations <sup>2</sup>**

	Canadian Installations <sup>1</sup>	US Installations <sup>2</sup>
A= Clearance above grade, veranda, porch, deck or balcony.	12 inches (30 cm) above anticipated snow level.	12 inches (30 cm) above anticipated snow level.
B= Clearance to window or door that may be opened.	6 inches (15 cm) for appliances ≤ 10,000 Btuh (3 kW), 12 inches (30 cm) for appliances > 10,000 Btuh (3kW) and ≤ 100,000 Btuh (30kW), 36 inches (91 cm) for appliances > 100,000 Btuh (30kW).	6 inches (15 cm) for appliances ≤ 10,000 Btuh (3 kW), 9 inches (23 cm) for appliances > 10,000 Btuh (3 kW) and ≤ 50,000 Btuh (15 kW), 12 inches (30 cm) for appliances > 50,000 Btuh (15 kW).
C= Clearance to permanently closed window.	*	*
D= Vertical Clearance to ventilated soffit located above the terminal within a horizontal distance of 2 feet (61 cm) from the center line of the terminal.	*	*
E= Clearance to unventilated soffit.	*	*
F= Clearance to outside corner.	*	*
G= Clearance to inside corner.	*	*
H = Clearance to each side of center line extended meter/regulator assembly above.	3 feet (91 cm) within a height 15 feet (4.57 m) above the meter/regulator assembly.	*
I = Clearance to service regulator vent outlet.	3 feet (91 cm)	*
J = Clearance to nonmechanical air supply inlet to the combustion air inlet to any building or other appliance.	6 inches (15 cm) for appliances ≤ 10,000 Btuh (3 kW), 12 inches (30 cm) for appliances > 10,000 Btuh (3kW) and ≤ 100,000 Btuh (30kW), 36 inches (91 cm) for appliances > 100,000 Btuh (30kW).	6 inches (15 cm) for appliances ≤ 10,000 Btuh (3 kW), 9 inches (23 cm) for appliances > 10,000 Btuh (3 kW) and ≤ 50,000 Btuh (15 kW), 12 inches (30 cm) for appliances > 50,000 Btuh (15 kW).
K = Clearance to mechanical air supply inlet.	6 feet (1.83 m)	3 feet (91 cm) above if within 10 feet (3 m) horizontally.
L = Clearance above paved side walk or paved driveway located on public property.	Not allowed	Not allowed
M = Clearance under veranda, porch, deck or balcony.	Not allowed	Not allowed

<sup>1</sup> In accordance with current CAN/CGA-B149 Installation Codes.

<sup>2</sup> In accordance with current ANSI Z223.1/ NFPA 54 National Fuel Gas Code.

+ A vent shall not terminate directly above a sidewalk or paved driveway that is located between two single family dwellings and serves both dwellings.

\* If clearances are not specified then follow local installation codes and the requirement of the gas supplier.

\*\* For condensing appliances: The vent for this appliance shall not terminate over public walkways, near soffit vents, crawl space vents, or other areas where condensate or vapor could create a nuisance, hazard, or cause property damage. Where condensate or vapor could cause damage or could be detrimental to the operation of regulators, relief valves, or other equipment.

**⚠ WARNING:** Moisture in the flue gas will condense as it leaves the vent terminal. In cold weather this condensate can freeze on the exterior wall, under the eaves and on surrounding objects. Some discoloration to the exterior of the building is to be expected. However, improper location or installation can result in severe damage to the structure or exterior finish of the building

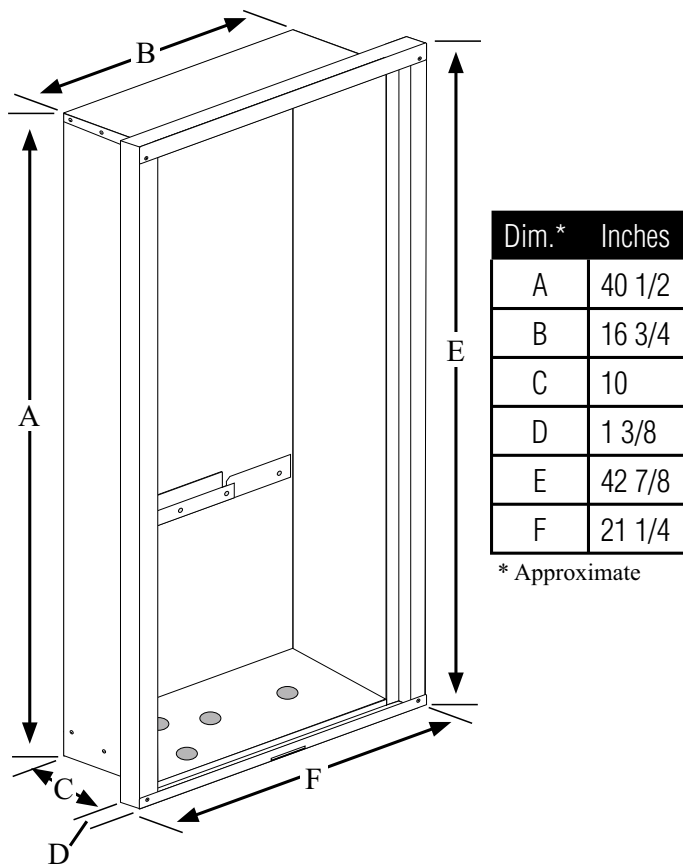
**Additional Considerations**

1. Do not install water heater under any patio or deck.
2. To help prevent moisture from freezing on walls and under eaves, do not locate the water heater on the side of a building with prevailing winter winds.
3. To help prevent water lines from freezing do not locate water heater on the side of a building with prevailing winter winds.
4. Do not locate water heater too close to shrubbery, as flue gasses may damage them.
5. Caulk all cracks, seams and joints within six (6) feet (1.8 m) of exhaust vent.
6. Guard exhaust vent against accidental contact with people and pets.
7. Install the water heater such that the air inlet and exhaust vent are above anticipated snow levels

## Rough In Dimensions

Height 41"; Width 17"; Depth depends upon siding

## Dimensions - Figure 3

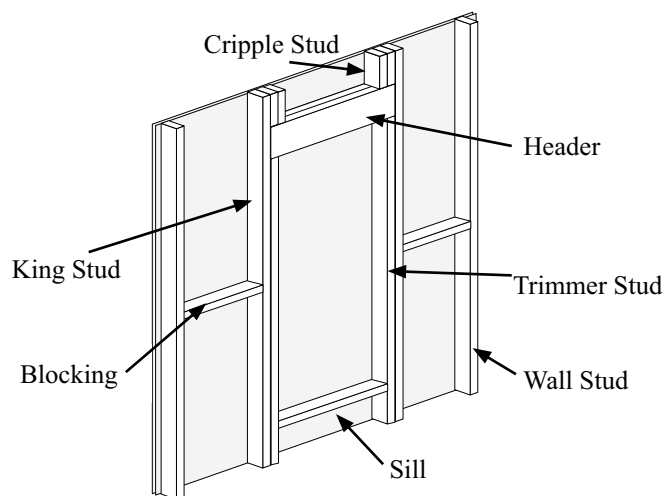


## Installation

The recess box is designed to be installed with a variety of home exterior products for new or existing construction.

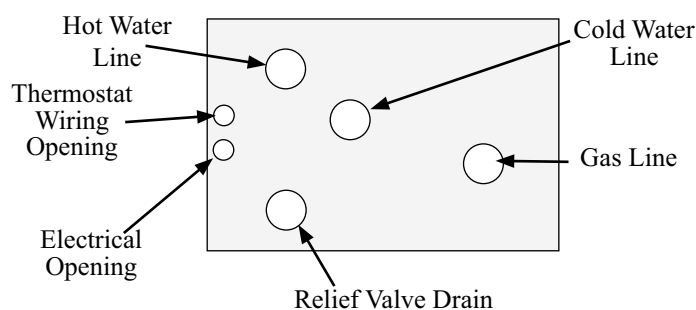
1. Choose a suitable location for the water heater and recess box. Follow the guidelines listed on page 2 of this manual, or the Use and Care Manual for the water heater, regarding location and clearances. Frame an opening in the exterior wall of the home for the rough in dimensions in Figure 3. Local building codes and standard building practices should be followed.

## Typical Framing - Figure 4



2. Install the recess box into the opening, level and square the box. Test fit the outer door to make sure it does not bind during installation. Secure the recess box to the framing on each side using four or more self tapping screws (not provided).
3. Mount the water heater into the recess box. In the back of the recess box is a channel to support the bottom mounting bracket of the water heater. At the top is a retaining stud for securing the top mounting bracket. Lift the water heater up and slide the bottom mounting bracket down into the channel. While holding the water heater in place, secure the top of the unit to the retaining stud with the washer and nut provided.

## Plumbing and Piping Openings - Figure 5



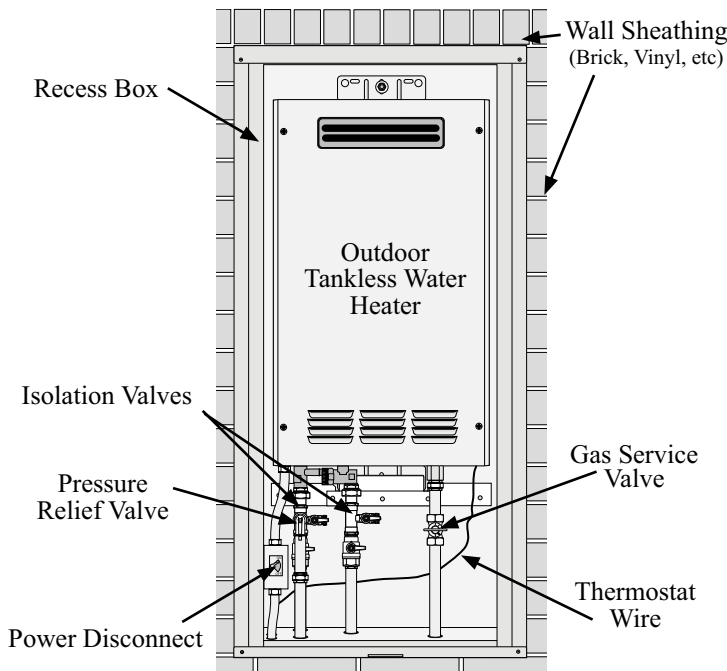
**Plumbing and Piping** - See Figure 5 for Pipe Locations. Follow all instructions in the Use and Care Manual for installation of gas and water lines. Holes are provided in the bottom of the recess box for all piping and wiring. These holes line up with the fittings on the bottom of the water heater.

1. Stub the water lines and gas pipe up through the bottom of the box (See Figure 5). It is recommended that shut off valves and unions be installed in the piping for future service requirements.
2. Connect the water lines and gas piping to the water heater in accordance with the instructions in the Use and Care Manual provided with the water heater.
3. Seal the holes around the piping with a silicon based sealant to prevent any water from leaking into the wall behind the recess box. Insulate pipes with foam insulation.

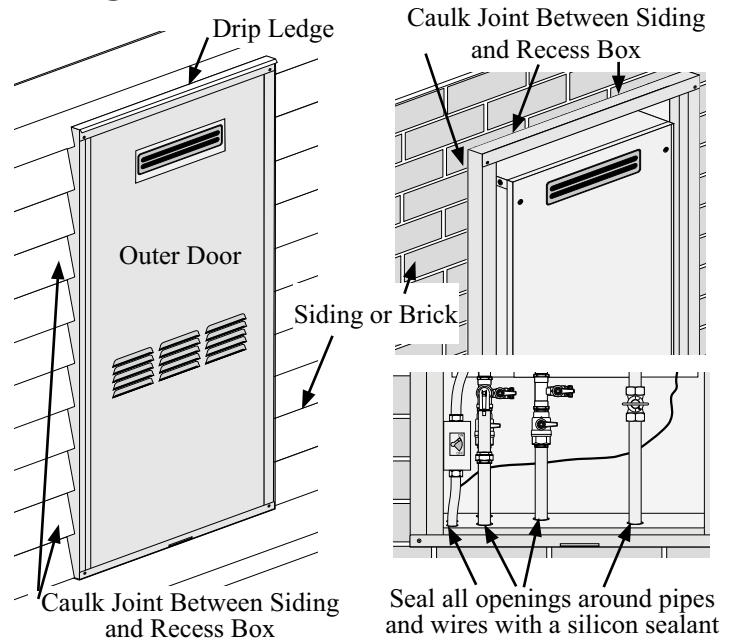
**Power Disconnect** - Install a suitable means to disconnect power from the unit for service. This disconnect should be weather resistant and meet any and all local codes. In the absence of local codes, the National Electrical Code should be followed. Refer to the Use and Care Manual for instructions in connecting the power to the water heater.

**Thermostat Wiring** - A hole is provided for the Thermostat wire(s). Route the wire through the hole and connect the wire to the water heater according to the instructions in the Use and Care Manual.

**Typical Installation - Figure 6**



**Sealing and Finish - Figure 8**



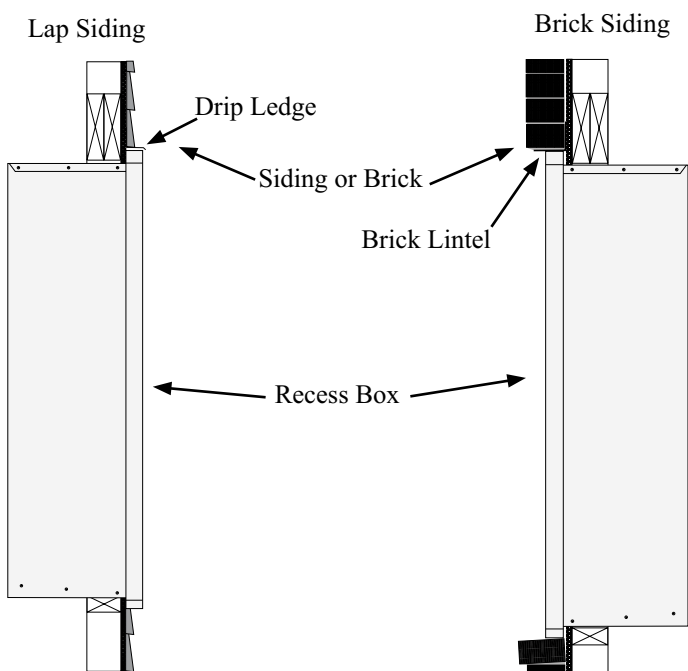
**Warning** - All openings in the bottom of the recess box must be sealed to prevent water infiltration in to the wall. Failure to do so could result in damage to the wall.

and the siding or brick of the house with a silicon based sealant to prevent water from getting behind the box into the wall.

**Final Assembly and Inspection** - Follow the Use and Care Manual for complete details about the water heater. Check all water and gas connections for leaks.

Seal all openings around pipes and wires with an outdoor grade silicon sealant. Seal the joint between the recess box

**Typical Installation and Finish - Figure 7**



**Installing the Door** - Lift the door up from the bottom at a slight angle. Slip the door into the channel at the top of the recess box. Next push the bottom of the door flush with the recess box and slid down into the channel at the bottom of the enclosure. Do not block any air openings of the door

**Security Clip** - Before installing the door, slide the clip into the slot at the bottom of the door from the backside so it points straight down through the bottom of the door. Lift the door into place per the instruction above. As the door is being slid down into place, guide the security clip into the slot in the bottom channel of the recess box. Once the clip is in place, secure with a suitable means (small padlock, security tag, etc.).

**Security Clip - Figure 9**

