

# Specification Data

## Panasonic Ventilation Fan

**Panasonic**

*WhisperFit-Lite™*  
VENTILATION FAN



### Description

Ventilating fan shall be Low Noise ceiling mount type rated for continuous run. Fan shall be Energy Star rated and certified by the Home Ventilation Institute (HVI). Evaluated by Underwriters Laboratories and conform to both UL and cUL safety standards.

### Motor/Blower:

- Four-pole totally enclosed condenser motor rated for continuous run.
- Power Rating shall be 120 volts and 60 hz.
- Fan shall be UL and cUL listed for tub/shower enclosure when used with a GFCI branch circuit wiring.
- Motor equipped with thermal-cutoff.
- Removable with permanently lubricated plug-in motor.

### Housing:

- Rust proof paint, galvanized steel body.
- 4" diameter duct with optional 3" adapter included.
- Built in backdraft damper.
- Double hangar bar system allowing for ideal positioning.

### Grille:

- Attractive design using PP material.
- Attaches directly to housing with torsion springs.

### Light:

- Two 13 watt, 3500 Kelvin quick start compact fluorescent lamps included.
- One 4 watt night-light included.

### Warranty:

- The factory warranty shall be a minimum of 3 years limited warranty on parts.

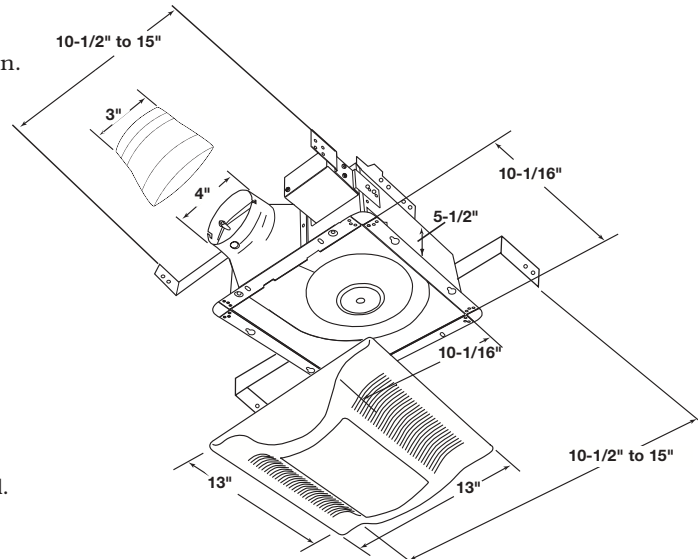
### Typical Specifications:

Ventilating fan shall be of the ceiling mount. Energy Star rated, with no less than 110 CFM and no more than 2.0 sones as certified by the Home Ventilating Institute (HVI) at 0.1 static pressure in inches of water gauge when used with the 4" duct. Power consumption shall be no greater than 35 watts and Energy Star rated with efficiency rating of no less than 3.1 cfm/watt. The motor shall be totally enclosed, four pole condenser type engineered to run continuously. Power shall be 120v/60Hz. 3" duct adapter available with performance specifications as listed in the specification chart below. Fan shall be UL and cUL listed for tub/shower enclosure when used with GFCI branch circuit wiring.

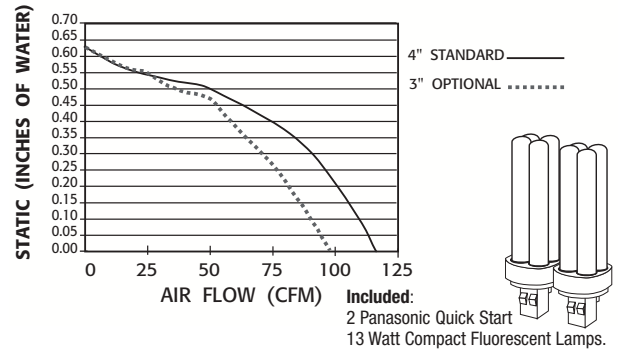
Energy Star qualification only applies when using 4" duct.

### Specifications:

**FV-11VFL1 (110 cfm)**



Fan Curve FV-11VFL1



<b>FV-11VFL1</b>		<b>4" Duct (Standard)</b>		<b>3" Duct (Optional)</b>		<b>Specifications (all specs below are for 4" and 3" Duct)</b>	
<b>Ventilation Fan Characteristics (HVI Certified Data)</b>	Static Pressure (inches w.g.)	0.1	0.25	0.1	0.25	Motor Type	Condenser
	Air Volume (CFM)	110	98	90	76	Type of Motor Bearing	Ball
	Noise (sones)	2.0	NA	2.0	NA	Thermal Fuse Protection	Yes
	Power Consumption (Watts)	35	35	35	34	Blower Wheel Type	Sirocco
	Energy Efficiency (CFM/Watts)	3.1	2.8	2.6	2.2	<b>Installation</b>	
	Speed (RPM)	1129	1240	1316	1390	Duct Diameter (inches)	4 or 3
	Current (amps)	0.29	0.29	0.29	0.28	Mounting Opening (inches sq.)	10-3/8
Power Rating (V/Hz.)	120/60					Grille Size (inches sq.)	13
						<b>Weight and Standards</b>	
						Gross Weight (lbs)	19
						UL Tub Shower Enclosure	Yes
						Washington State VIAQ Code	Yes
						Mfg in ISO 9001 Certified Facility	Yes

For Complete Installation Instructions Visit [www.panasonic.com/building](http://www.panasonic.com/building)



Model	Quantity	Comments	Project:
			Location:
			Architect:
			Engineer:
			Contractor:
			Submitted by:
			Date: