

**CALVARI RAIN BATH,
 MODELS 6020X/60180**

☐ 6020X Rain Bath only:

- Eurocast™ reinforced construction with bonded acrylic interior surface finish
- Exterior surfaces ready for custom finishing
- Unique offset elliptical tub design provides larger shower area
- Tempered glass shower enclosure
- Shower head design provides wide area rain bath effect
- Bath filler and hand shower can be mounted on integral faucet ledge
- Available in white only
- Temperature- and pressure-controlled mixer and three-way diverter valves can be conveniently wall-mounted adjacent to bath
- Faucetry available in chrome finish only
- Supplied with Calvari drain and stopper assembly
- Supplied with decorative claw feet
- Available with chrome or chrome/brass Mixage trim



☐ 60200

Bath/Shower Combination, Chrome

☐ 60202

Bath/Shower Combination, Mixage

Nominal Overall Dimensions:

72-1/2" (1842mm) length x 41" (1041mm) shower area width x 36" (914mm) tub area width x 92-3/4" (2356mm) height with shower enclosure

☐ 91380 Faucetry Kit only:

- Includes mixer/diverter valves, tub filler, and hand shower

☐ 60180 Bath Tub only:

- Includes Calvari drain and stopper assembly and burnished chrome claw feet
- Can also be installed as a drop-in bath

Nominal Overall Dimensions:

72-1/2" (1842mm) length x 41" (1041mm) shower area width x 36" (914mm) tub area width x 25-1/8" (638mm) height

Compliance Certifications -

Meets or exceeds the following specifications:

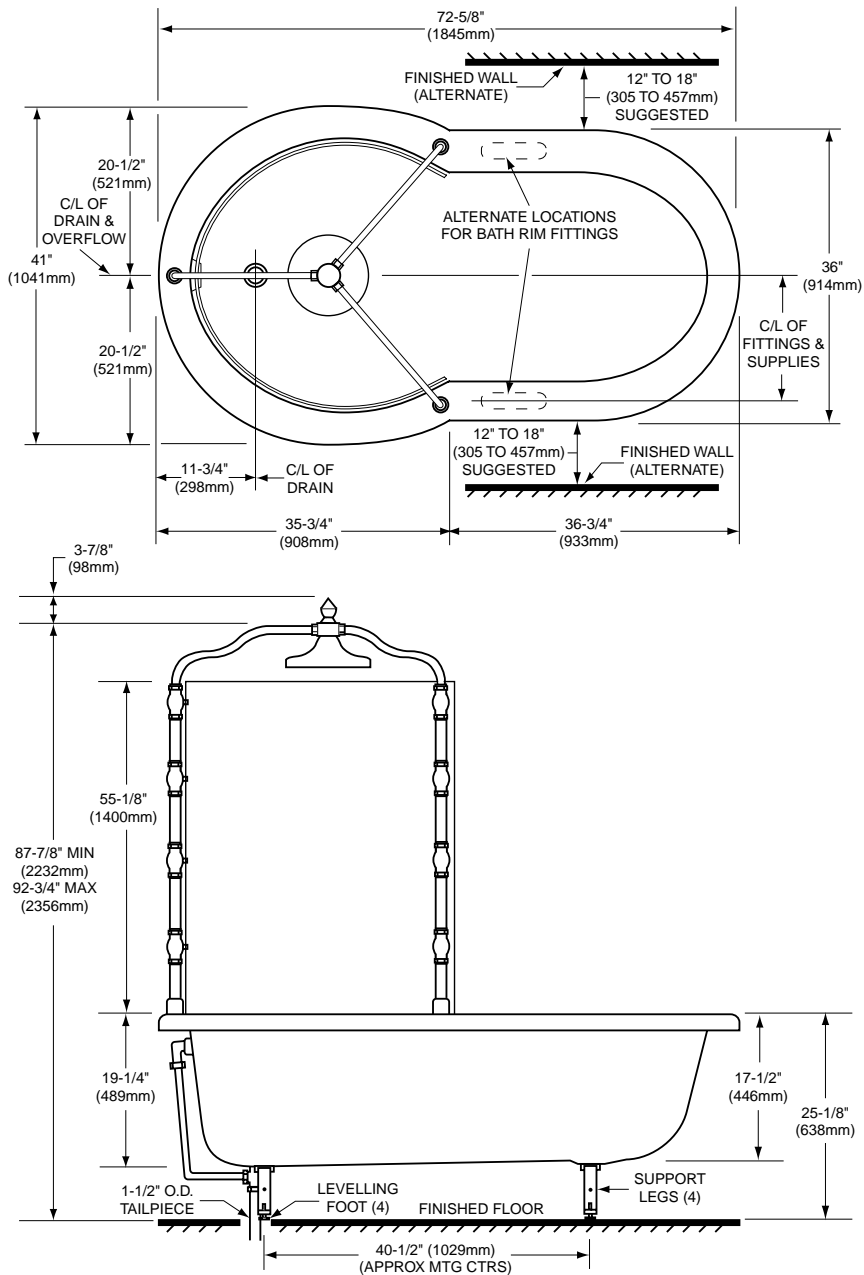
- ANSI Z124.1 for Plastic Bathtubs
- ASTM E162 for Flammability
- NFPA 258 for Smoke Density

NOTE: Roughing-in dimensions and product specifications shown on reverse side of page.

CALVARI™

RAIN BATH

EUROCAST™



NOTES:

- PROVIDE SUITABLE REINFORCEMENT FOR ALL WALL AND FLOOR SUPPORTS.
- FAUCETRY AND FITTINGS NOT INCLUDED AND MUST BE ORDERED SEPARATELY.
- BATH FITTINGS MOUNTING HOLES TO BE LOCATED AND DRILLED BY INSTALLER.
- SUPPLY PIPING, DRAIN TAILPIECE, VACUUM BREAKER AND CONNECTIONS TO BE PROVIDED BY INSTALLER.
- LOCATE BATH FITTINGS AND SHOWER ENCLOSURE SUPPLY FITTING/ADAPTER ON SIDE OF BATH ADJACENT TO WALL-MOUNTED FITTINGS AND SUPPLY PIPING.
- REFER TO INSTALLATION INSTRUCTIONS SUPPLIED WITH BATH FOR ADDITIONAL INFORMATION.

IMPORTANT: Dimensions of fixtures are nominal and may vary within the range of tolerances established by ANSI Standard Z124.1. These measurements are subject to change or cancellation. No responsibility is assumed for use of superseded or voided pages.

GENERAL SPECIFICATIONS FOR 60180 BATHING POOL

INSTALLED SIZE (W/SHOWER)	72-1/2" (1842mm) L X 41" (1041mm) SHOWER
	AREA W X 36" (914mm) TUB AREA W X 92-3/4" (2356mm) H
WEIGHT	195 Lbs. (88 Kg)
WEIGHT W/WATER	895 Lbs. (406 Kg)
GALLONS TO OVERFLOW	84 Gal. (318 L)
BATHING WELL AT SUMP	20" x 56" (508 X 1422mm)
BATHING WELL AT RIM	24-1/2" x 64" (622 x 1626mm)
WATER DEPTH TO OVERFLOW	14-1/2" (368 mm)
FLOOR LOADING (PROJ. AREA)	43 Lbs./Sq. Ft. (212 Kgs/Sq. m)
POINTS	44
CARTON VOLUME	37.7 Cu. Ft (1.86 Cu. M)
CARTON SHIPPING WEIGHT	425 Lbs. (193 Kg)

SPS 6020X/60180