

REPRISE TWO-HANDLE THERMOSTATIC VALVE, MODEL 5535.540

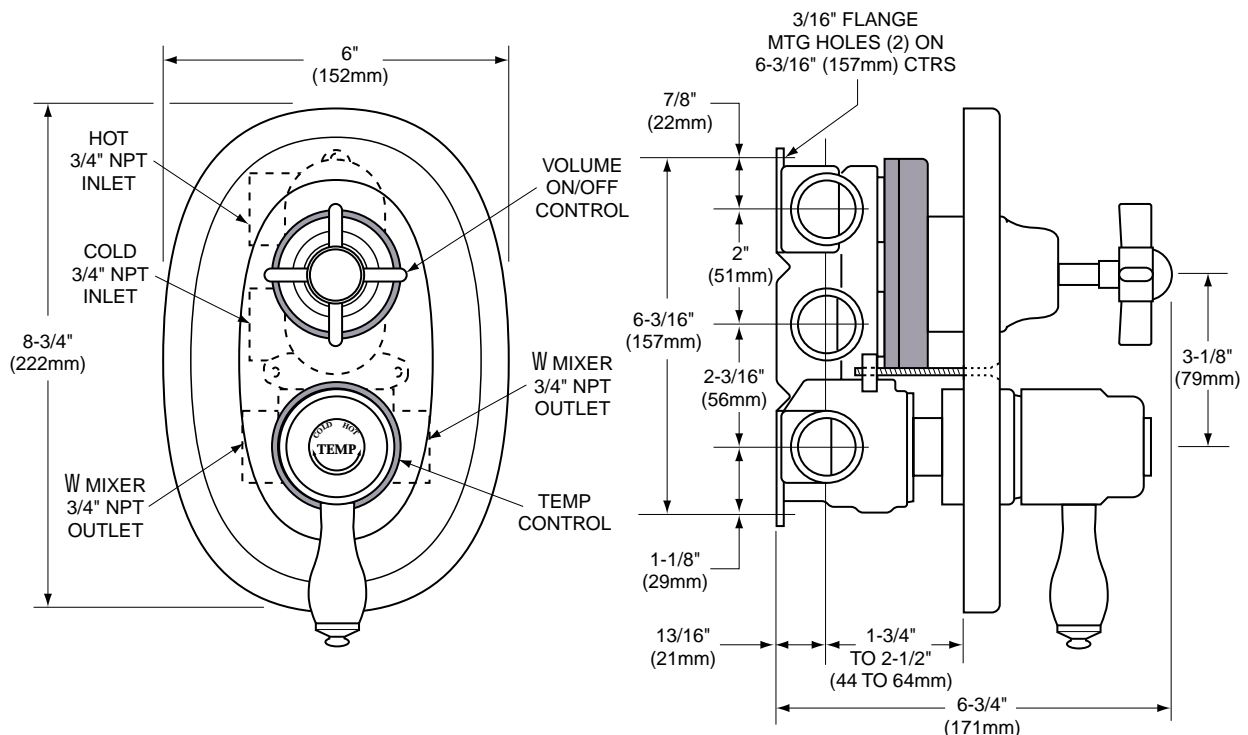
- Classic Victorian styling
- Coordinated accessories available
- May be used as bath/shower control with optional diverter valve installation kit
- Cast brass construction
- Cross handle controls on/off and volume
- Porcelain lever handle sets and automatically maintains water temperature
- Includes hot limit safety stop
- Available in chrome, brass, or brushed nickel finish
- Includes escutcheon plates and plaster guard
- 3/4" NPT inlets and outlets
- Made in England



Maximum Flow Rate: 13 gpm (493 L) at 40 psi

Low Lead: Meets NSF Standard 61/Section 9 & Prop 65 lead requirements

Specify assembly finish: chrome, brass, or brushed nickel



NOTES:

★ BOTH MIXER OUTLETS ARE USED ONLY WHEN OPTIONAL BATH/SHOWER DIVERTER IS INSTALLED; OTHERWISE, PLUG UNUSED OUTLET WHEN MIXER IS USED AS BATH OR SHOWER CONTROL. INSTALLATION INSTRUCTIONS SUPPLIED WITH ASSEMBLY.

IMPORTANT: Dimensions of faucets are nominal and may vary within the range of tolerances established by ANSI Standard A112.18.1M. These measurements are subject to change or cancellation. No responsibility is assumed for use of superseded or voided pages.

SPS 5535.540