



Thermostatic Trim/Rough Valve

Rohl Country Bath Collection

TRIM

A4909 LM (Metal Lever)

A4909 LP (Porcelain Lever)

A4909 XP (Metal Cross Handles)

ROUGH VALVE

A4910 Rough Valve

FEATURES

Trim A4909

- All brass construction
- Separate volume and temperature controls
- Automatic temperature safety stop w/override function

Rough valve A4910

- Separate volume and temperature controls
- Flow rate approximately 14 GPM at 45 PSI
- 3/4" inlets and 2 x 3/4" outlets
- Extension kit included with rough

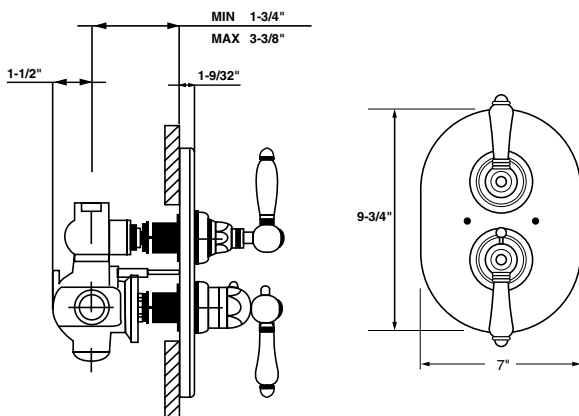
COLORS/FINISHES

- Polished Chrome
- Polished Nickel
- Satin Nickel
- Tuscan Brass
- Inca Brass

WARRANTY

- Limited Lifetime

THERMOSTATIC MIXER EXTERNAL TRIM



THERMOSTATIC MIXER ROUGH VALVE

