



SCAQMD 1146.2⁺

Model T-M199



Description / Application:

Fully modulating, gas fired, tankless, on demand water heater with sealed combustion (optional) and power-vented flue. Can be installed either indoors or outdoors, and used in either residential or commercial applications. Supplies hot water to: domestic hot water systems (directly or indirectly using water storage tanks), recirculation systems, hydronic heating systems, radiant floor heating systems, and/or combined domestic & heating applications, etc.

Fuel: NG or LP

Safety Features

- Built in Freeze Protection
- Manual Reset Hi Limit (Set at 194°F)
- Overheat Cut Off Fuse
- Inlet/Outlet Thermistors for Constant Temperature Monitoring
- Flue Backdraft Pressure Switch
- GFI Power Supply Connection

Venting and Combustion

- 4" Category III Stainless Steel
- Vertical or Horizontal Installation
- 35' Max Length, 3 elbows max (90° elbows = 5' equivalent length)
- Power Vent
- Electronic Ignition
- 3" Combustion Air Intake (with optional kit)
- 53 dB Noise Level at Max Output

Accessories:

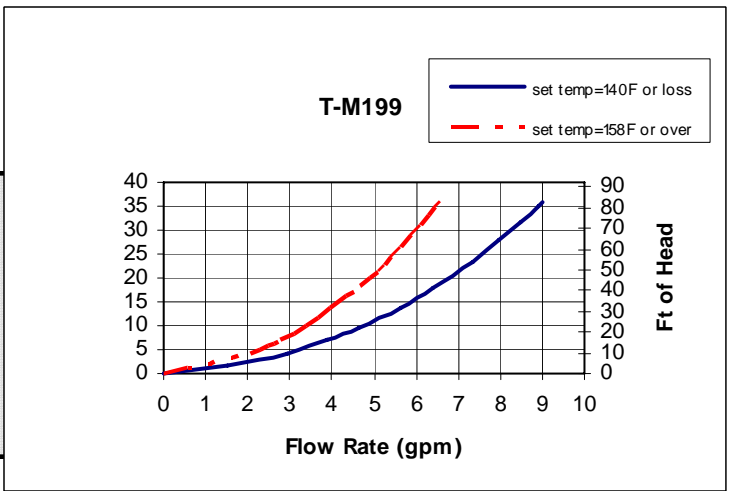
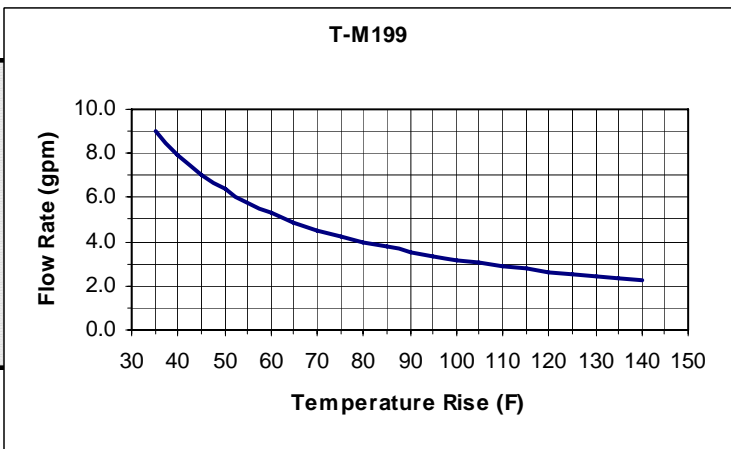
- TM - RE20 Multi-Unit Controller (multi-unit system)
- TM - RE10 Temperature Remote Controller
- TK - TV01 Wall Ventilation Terminator (Indoor)
- TK - TV03 Vent Damper
- TK - TV06 Outdoor Vent Cap
- TK - TV11 Direct Vent Conversion Kit (optional)
- TK - TV13 Wall Ventilation Terminator (Direct Vent)

Remote Controller

- 400' Max Distance From Heater
- Non Polarized 18 Gauge Control Wiring

Temp Settings

Dip Switch:	113°F	122°F (default)	140°F	182°F					
TM-RE10 Remote:	99°F	100°F	102°F	104°F	106°F	108°F	110°F	111°F	113°F
(w/ red jumper in place)	115°F	117°F	122°F	131°F	140°F	158°F	167°F		



Takagi Industrial CO. USA, Inc.
 5 Whatney Irvine, CA 92618
 888.882.5244 www.takagi.com

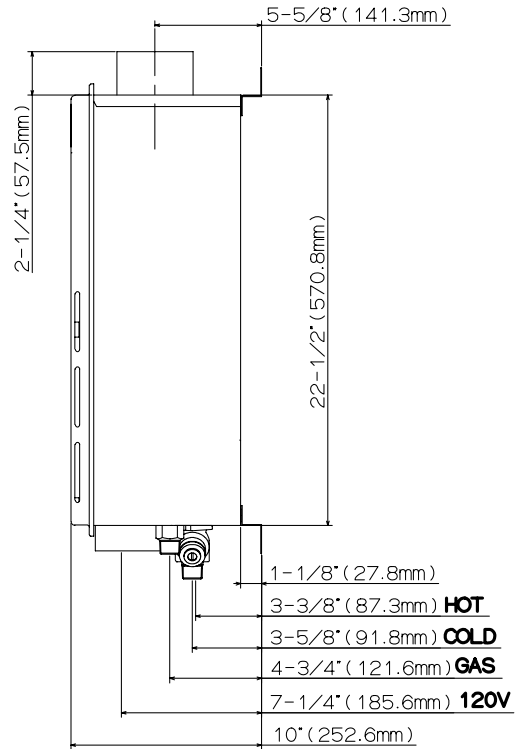
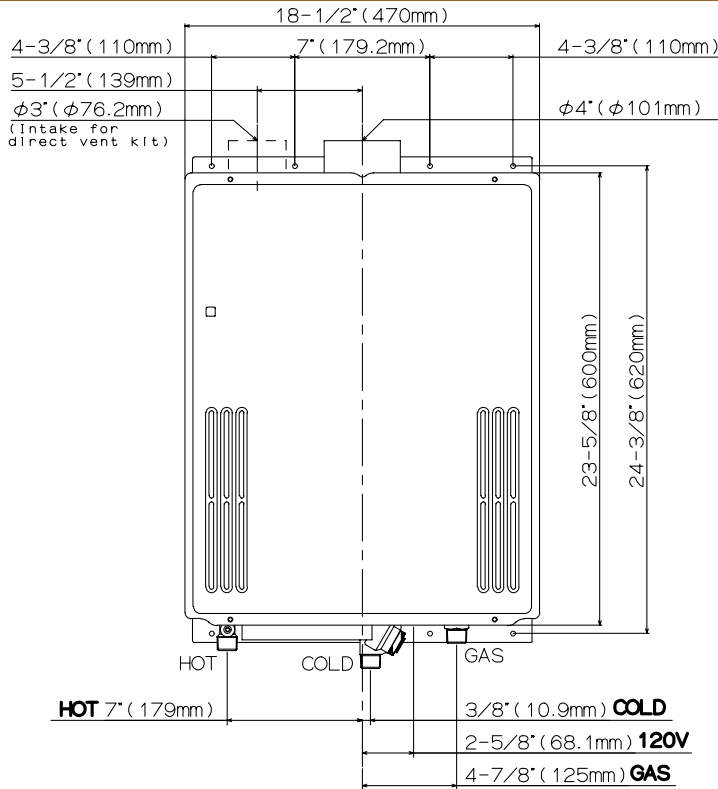
+Met SCAQMD rule 1146.2 (certified by BR Lab)



Model T-M199



SCAQMD 1146.2*



TM-199:	H	W	D	WT	Volt	Amp	Flue	Intake	(Hot/Cold/Gas) Connections
	23.6"	18.5"	8.9"	70 lbs.	120	0.79	4" O.D.*	3" O.D.(optional)	3/4" NPT
	Input		Input		Energy Factor	Thermal Eff.	AFUE	Min Press.	Max. Press.
NG	199,000		25,000		0.82	80.3 %	0.78	5.0" W.C.	10.5" W.C.
LP	199,000		25,000		0.84	83.7 %	0.82	11.0" W.C.	14.0" W.C.
	GPM		Water PSI		Coil Cap.				
	0.75 - 9.0**		15 - 150 PSI***		≈0.6 Gallons				
Clearances	Top	Bottom		Front	Back	Sides			
Indoor	12"	12"		4"	1"	2"			
Outdoor	36"	12"		24"	1"	2"			

* Category III Required ** Current numbers based on factory testing, 0.6 GPM Required for Continuous Fire After Initial Ignition
 *** Pressure Only Relief Valve Requires (Min. 200,000 BTUs. 150 PSI). Min 50 PSI or above recommended for maximum flow.
Warranty: 10 yrs Heat Exchanger, 5 yrs Parts (for Residential Use) - 3 yrs Heat Exchanger, 3 yrs Parts (for Commercial Use)

Specification

Mobius water heater(s) shall be Model TM199 as manufactured by Takagi Industrial Company Inc. The Mobius water heater(s) shall be a copper coil integral fin and tube construction with quick release brass or bronze waterways. Heater(s) will be factory assembled and tested.

The heater shall be vented with 4" stainless steel Category III vent pipe a distance not to exceed 35' (equivalent) feet terminating vertically or horizontally as prescribed. Intake air with optional direct vent kit may be of such material as PVC not to exceed a total of 35' (equivalent).

The heaters(s) shall be controlled by onboard solid state printed circuit board monitoring incoming and outgoing temperatures with factory installed thermistors, sensing and controlling flow rate to set point temperature which control both air and gas mixture inputs to maintain thermal combustion efficiency. Unit also consists of ground fault interrupter, inline fusing, spark ignition and sensor system, aluminized stainless steel burners, vent pressure switch, modulating and proportional gas valves, freeze protection sensor and heating blocks and overheat cut-off fuses.

The water heater(s) shall be CSA listed, exceeds the energy efficiency requirements of ASHRAE 90.1b-1992 and listed by SCAQMD rule 1146.2 Low NOx.